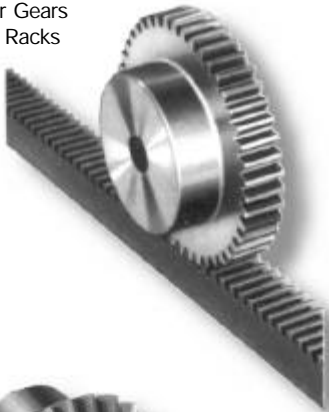


BRITISH METRICS

Spur Gears and Racks



Timing Belt Drives

Sprockets



Power Transmission Equipment

Splined Shafts up to 3 metres long:

13 sizes from 64x14mm to 8 splines x 54mm dia

Straight Bevel Gears



Sleeves:

Bronze & Steel

Bevel Gears:

From 1.0 to 6.0 module, 6 ratios 1:1 to 4:1

Worms & Wheels:

5 centre distances from 50 to 125mm

Nuts:

Bronze, Steel, CI & Nylatron

Spur Gears & Racks:

1.0 to 8.0 module. Helical, Ground, Square and Round. Racks up to 2 metres long.



Spiral Bevel Gears

Power Screws up to 3 metres long:

19 sizes LH & RH, 10x3 to 70mm dia x 10mm pitch and stainless steel.

Worm & Worm Wheels



Metric Timing Belts & Pulleys:

T2.5, T5 & T10 pitch

Metric Freewheels:

e.g. Sprag Clutches

Flexible Couplings:

Metric & Imperial

Spiral Bevel Gearboxes



Worm Wheel Reducers



Splined Shafts

Serving All Your Metric Needs...

Precision Roller Chains



Drive Tensioners and Chain Accessories



Linear Actuators



Screw Jacks

Other European Manufactured Products Available Include:

Bonfiglioli
Control Techniques
TD Cross & Morse
SEW Eurodrive
Iwis Roller Chain

Lenze
Megadyne
Opperman
Ortlinghaus
Pfaff

Pirelli
Ramsay Chain
WMH
Warner
ZF



Acme Threaded Screws & Nuts
Ball Screws and Nuts

Other European Manufactured Products Available on Request.



Taper Bushes
Locking Assemblies

Torque Limiters



Tooth Gear Couplings
Jae Type Couplings



Flexible Couplings
Chain Couplings