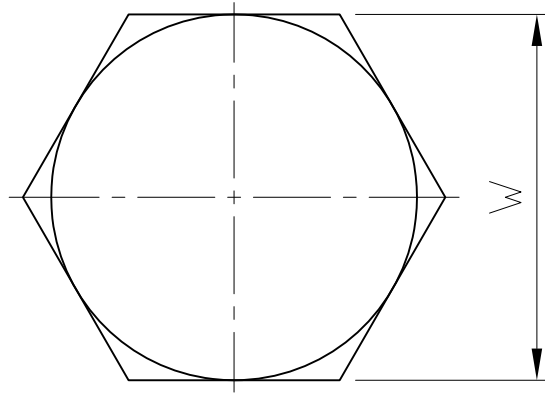
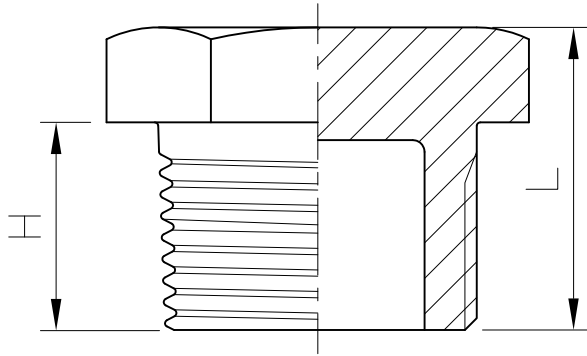
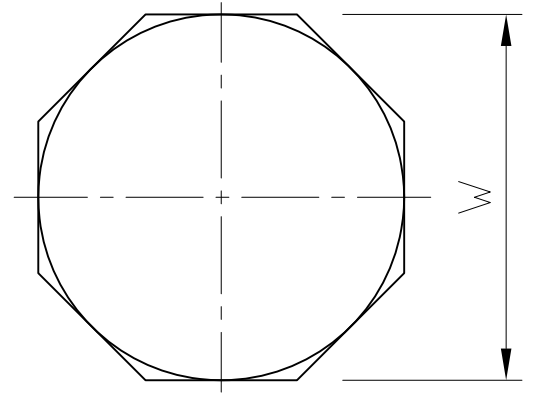


HEXAGON PLUG



1/8"~2"



2-1/2"~4"

SIZE	1/8"		1/4"		3/8"		1/2"		3/4"		1"		1-1/4"		1-1/2"		2"		2-1/2"		3"		4"	
	mm	in	mm	in	mm	in	mm	in	mm	in	mm	in	mm	in	mm	in	mm	in	mm	in	mm	in	mm	in
H	10.5	0.41	12	0.47	13.5	0.53	16	0.63	16.5	0.65	19	0.75	21	0.83	21	0.83	22.8	0.9	29	1.14	29.3	1.15	30.8	1.21
L	16.2	0.64	18	0.71	19.5	0.77	22.6	0.89	23.3	0.92	26.8	1.06	30.5	1.2	30.8	1.21	34	1.34	40.5	1.59	41.7	1.64	44.8	1.76
W	13.2	0.52	16.6	0.65	19.3	0.76	25.2	0.99	29.7	1.17	36.5	1.44	45.3	1.78	51.4	2.02	62.5	2.46	79.5	3.13	92	3.62	117.5	4.63

Tolerance: $\pm 0.5\text{mm}$ (1/8"~2")
 $\pm 0.8\text{mm}$ (2-1/2"~4")