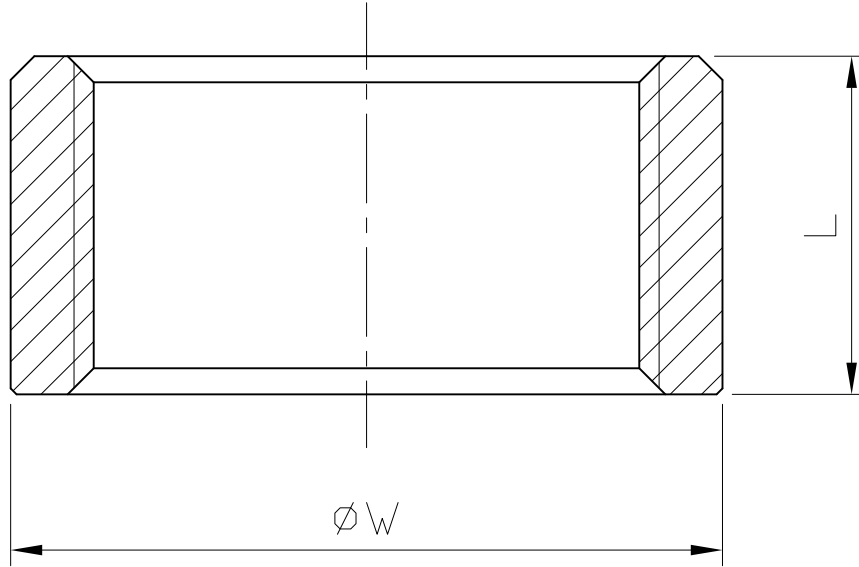


# HALF COUPLING



SIZE	1/8"		1/4"		3/8"		1/2"		3/4"		1"		1-1/4"		1-1/2"		2"		2-1/2" (NPT)		2-1/2" (PS)		3"		4"	
	mm	in	mm	in	mm	in	mm	in	mm	in	mm	in	mm	in	mm	in	mm	in	mm	in	mm	in	mm	in	mm	in
L	12	0.47	12	0.47	13	0.51	16.5	0.65	18.5	0.73	19.5	0.77	22.5	0.89	23	0.91	26.5	1.04	31.5	1.24	31.5	1.24	34.5	1.36	37	1.46
W	13.5	0.53	18	0.71	21.5	0.85	26	1.02	31.5	1.24	39	1.54	48	1.89	54	2.13	66.5	2.62	80	3.15	83	3.27	95	3.74	122	4.8

Tolerance:  $\pm 0.5\text{mm}(1/8''\sim 2'')$   
 $\pm 0.8\text{mm}(2-1/2''\sim 4'')$