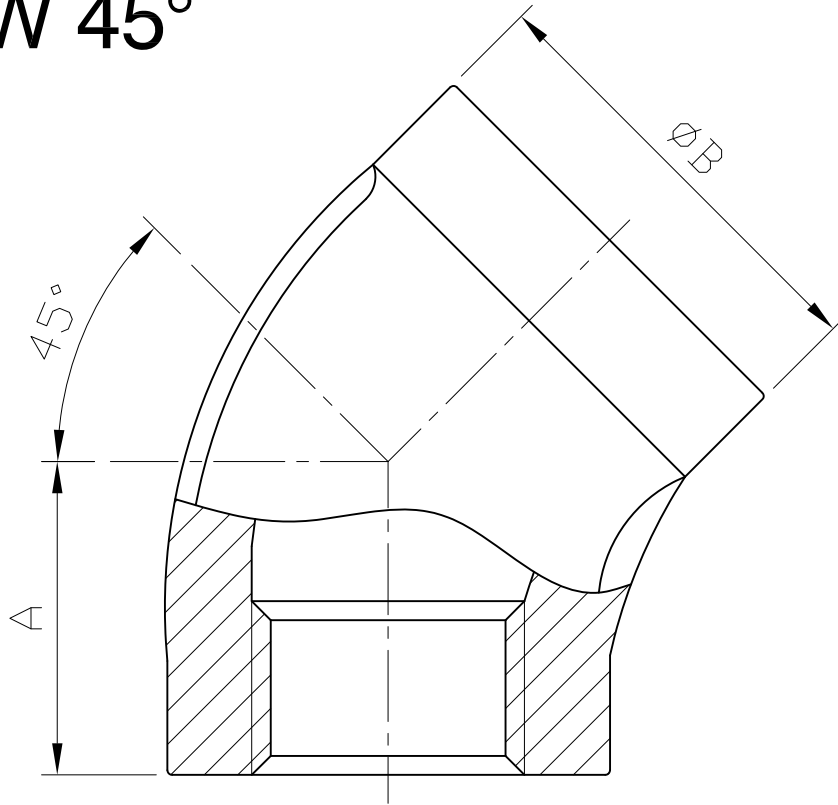


ELBOW 45°



SIZE	1/8"		1/4"		3/8"		1/2"		3/4"		1"		1-1/4"		1-1/2"		2"		2-1/2"		3"		4"	
	mm	in	mm	in	mm	in	mm	in	mm	in	mm	in	mm	in	mm	in	mm	in	mm	in	mm	in	mm	in
A	15	0.59	16	0.63	18	0.71	20	0.79	24	0.94	27	1.06	31	1.22	34	1.34	39	1.54	46	1.81	52	2.05	63	2.48
B	16	0.63	18.4	0.72	22	0.87	29	1.14	32	1.26	42	1.65	48.4	1.91	57	2.24	70	2.76	88	3.46	101	3.98	127.6	5.02

Tolerance: $\pm 0.5\text{mm}(1/8''\sim 2'')$
 $\pm 0.8\text{mm}(2-1/2''\sim 4'')$