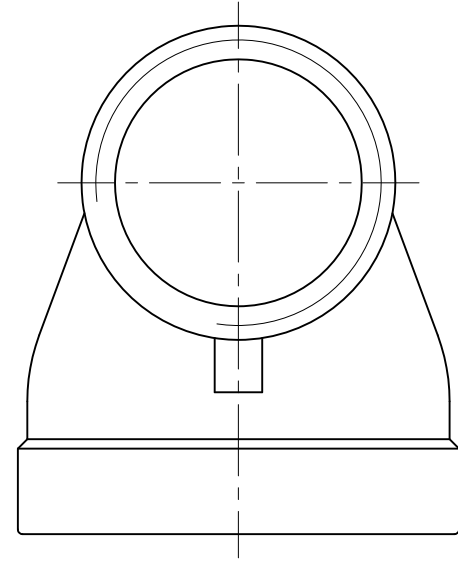
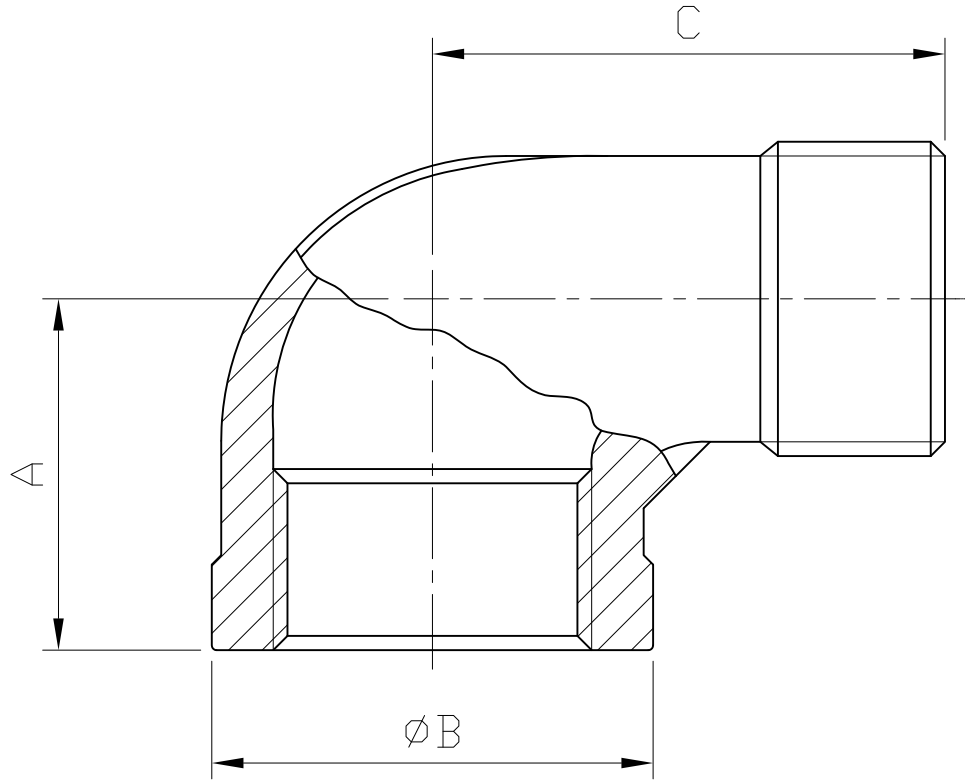


STREET ELBOW 90° M/F



SIZE	1/8"		1/4"		3/8"		1/2"		3/4"		1"		1-1/4"		1-1/2"		2"		2-1/2" (NPT)		2-1/2" (PS)		3"		4"	
	mm	in	mm	in	mm	in	mm	in	mm	in	mm	in	mm	in	mm	in	mm	in	mm	in	mm	in	mm	in	mm	in
A	19	0.75	21.5	0.85	24.5	0.96	29	1.14	33.5	1.32	37	1.46	43	1.69	47	1.85	57.5	2.26	66	2.6	66	2.6	74	2.91	90	3.54
B	15	0.59	20.5	0.81	24	0.94	28.4	1.12	34.3	1.35	41	1.61	51	2.01	56.5	2.22	69.5	2.74	84	3.31	87.4	3.44	101.8	4.01	128	5.04
C	26.5	1.04	30.8	1.21	36.5	1.44	41	1.61	48	1.89	55	2.17	62	2.44	67	2.64	77.5	3.05	93	3.66	93	3.66	107	4.21	130	5.12

Tolerance: $\pm 0.5\text{mm}$ (1/8"~2")
 $\pm 0.8\text{mm}$ (2-1/2"~4")